

MPP Micro Point Pro

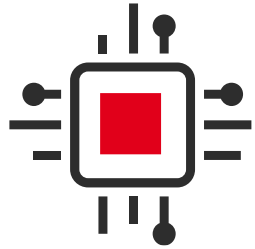
精密 Precision ■

创新 Innovation ■

质量 Quality ■

专业精密机械加工
Professionals in Precise Machining

About us 关于我们



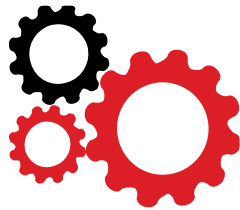
A leading customized solutions provider for the semiconductors and micro-electronics assembly industry
半导体和微电子组装行业领先的定制解决方案供应商



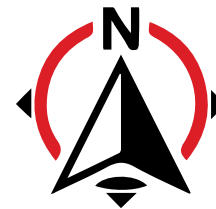
40 years of experience and expertise
40年经验和专业知识



Providing solutions to a wide array of market leaders & segments
为众多市场领军者提供解决方案



A leading OEM of Manual Wire Bonders
领先的手动引线键合机原始设备制造商



We master the whole production process:
raw material → end product
生产过程全程掌控：
原材料→终端成品



Located in the north part of ISRAEL supported by 170 employees
位于以色列北部 170 名员工

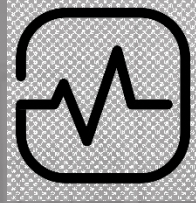
Applications & Market's Segments

应用程序 & 分类

Automotive
汽车



Medical
医疗



Aviation &
Aerospace
航空航天



Internet of
Things
物联网



Home
appliances
家用电器



Solar
太阳能



LED
二极管



Precision parts
精密零件



Defense &
Federal
国防&联邦



Our Leading Customers 主要客户



MPP's Basket of Solutions

MPP 丰富的解决方案

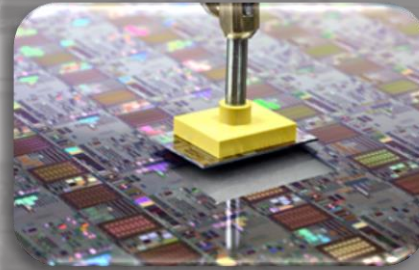
Small & Large wire Wedges
细线&粗线劈刀



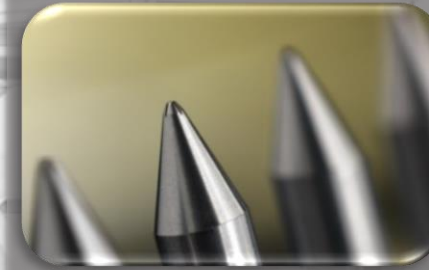
Die Collets
芯片拾取工具/夹头



Pick & Place
Flip Chip
芯片取放工具



Dispensers
焊料喷射吸嘴喷头



Nozzles & SMT
喷嘴吸嘴&SMT



"Build to Print / Spec"
Services
“构筑开发/按规客制”
服务



Customized Ceramic &
Hard Metal Products
定制陶瓷&硬质合金产品



Manual Wire Bonders
自动引线键合机



Thin Film Coatings
低温薄膜镀膜突出服务



Probe Heads For Wafer
Resistivity Check & others
4点探头
(用于硅片电阻率检查)



Cold HV Thin-Film Coating

常温高压溅射防护膜镀膜涂层



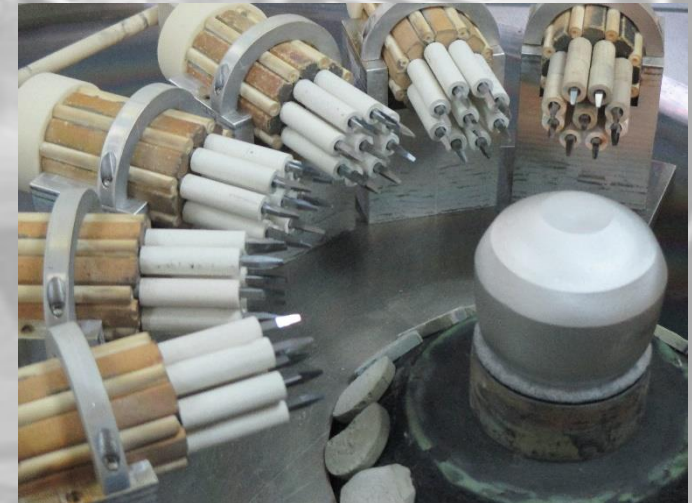
Cold HV-sputtering produces glasslike coatings thickness layer range is $0.2 \div 3 \mu\text{m}$ ← Controlled thickness
常温高压-溅射工艺，产生玻璃状涂层，厚度范围为 $0.2 \div 3 \mu\text{m}$ ← 厚度受控



The value of MPP coating

- Anti-reflection 防反射
- Abrasive resistance of precise mechanic parts 增加精密机械零件的耐磨性
- Low temperatures 低温不致变形
- Low contamination 低污染
- Uniformity in complex shapes 复杂形状亦可得到均匀的镀膜涂层

MPP镀膜涂层的价值



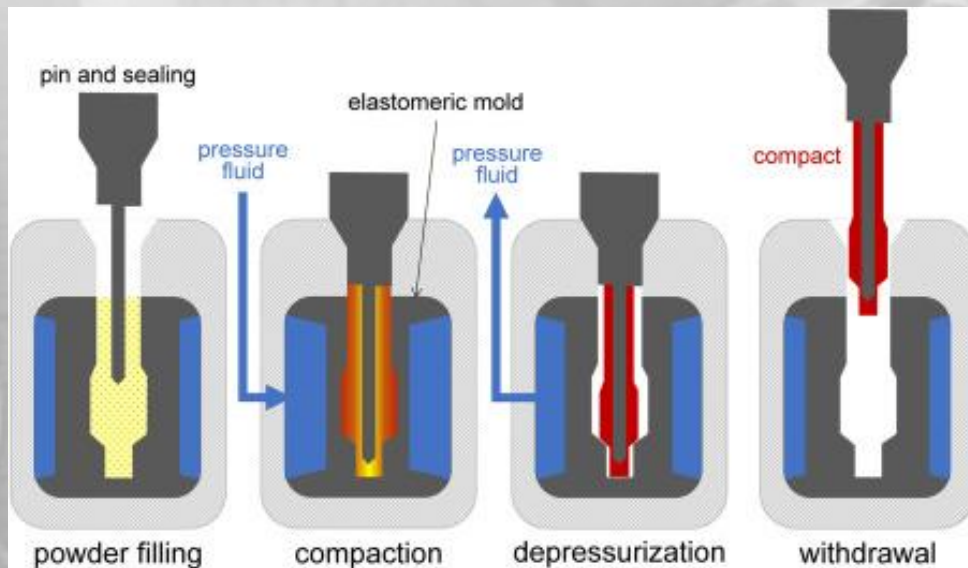
Precise (Micro) Parts 精密（微型）零件

- Knowhow, expertise, experience, & cutting-edge precision technologies → 专业的知识、经验和尖端的精密技术
 - high precision solutions 高精度解决方案
 - Various array of applications 各种应用程序
 - various material options 多种材料可选
- “Build to Print” & “Build to Spec” services
“构筑开发”和“按规客制”服务



Technologies – Pressing & Sintering 技术—压制和烧结

- We master the whole production process of Hard Metal & Ceramic
我们掌控硬质合金和陶瓷的整个生产过程
- ➔ From powder to raw material
➔ 从粉末到原材料
- Self-designed compaction system
自行设计的压实系统
- Pressure sintering system 压力烧结系统



Technologies – EDM 技术 - 电火花加工

- Die Sinking 冲模
- Wire cutting 线切割
- Micro precise hole sinking 微型精密钻孔
- Self designed semi-automated Micro-Sinking systems
自行设计的半自动钻凿微系统
- Opto-Computerized automated system for incorporated QC within the production process (Self-designed software & hardware)
QC光电计算机自动化系统（自行设计的软件和硬件）



Technologies – Turning & Milling

技术 – 车削和铣削

- CNC Precise machining 4/5 axes
CNC精密加工4/5轴
- Multi-function Mill Turn Center
多功能车铣中心
- Highly Precise & accurate milling systems
高精度和准确的铣削系统
- “Swiss-Type” milling system
“瑞士式”铣削系统



Technologies – Grinding 技术 - 磨削

- Ultra precise CNC 4/5 axes systems 超精密 CNC 4/5 轴系统
- Round & surface grinding systems 圆形和平面磨削系统
- Automatic 6 axes systems 自动 6 轴系统
- Automatic Centerless grinding systems 自动无心磨削系统
- Self designed & built semi-automated Micro-Grinding systems
自行设计和建造的半自动微细磨削系统。



Technologies – Dicing 技术—切割

- Automated precise dicing systems 自动化精密切割系统
- 2" Tilted spindle 0° to 15° 2" 倾斜主轴 0° 至 15°
- Self-designed special Jigs 自行设计的专用夹具

Y Axis, Control	Linear encoder for each Y axis
Resolution	0.1 μm
Cumulative Accuracy	1.5 μm
Indexing Accuracy	1.0 μm
X Axis	Air Slide
Z Axis, Resolution	0.2 μm
Repeatability	1.0 μm
θ Axis, Repeatability	4 arc-sec
Stroke	350°



Quality Assurance & Control 质检 & 品控

- Technologies: 技术
 - “NEXIV” – Programable Video Measuring System
“NEXIV” – 可编程视频测量系统
 - Coordinate Measuring Machine (XYZ) 三坐标测量机 (XYZ)
 - OGP - non-contact and multi-sensor dimensional measurement systems
OGP - 非接触式和多传感器尺寸测量系统
 - Confocal microscope/comparators - optical microscope measuring systems
共聚焦显微镜/比较器 - 光学显微镜测量系统
 - Microscopes 显微镜
 - Self-designed & built automated QC systems
自行设计和建造的自动化质控系统
- Professional QA & QC team 专业的QA&QC团队
- Strict QA Processes & Procedures 严格的质件流程
- Final inspection – “**ship to stock**” 最终检测——“免检入库”



Added Value 附加价值

- Knowhow, expertise, experience 认知、专业、经验
- Cutting-edge precision technologies 尖端的精密技术
- Wide array of applications 广泛的应用
- Design & draw per spec 按规格设计和绘制
- Raw material sourcing & preparation 原材料采购和储备
- Design of the optimal production process 最佳的生产工艺设计
- Private labeling – special packaging 定制标签 – 定制包装

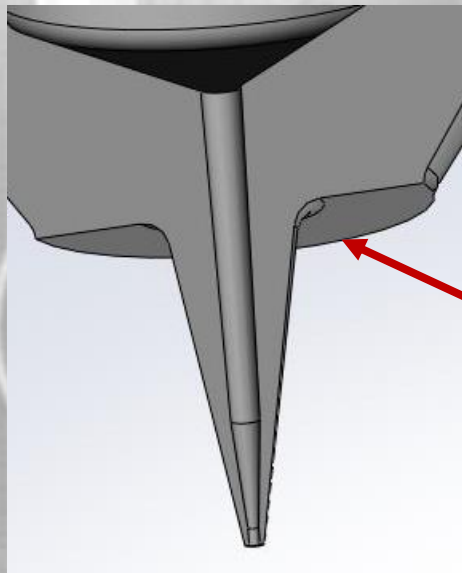


Build to Spec
Build to Print
构筑开发
按规客制

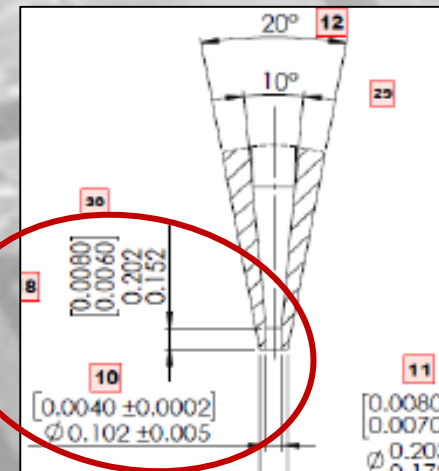
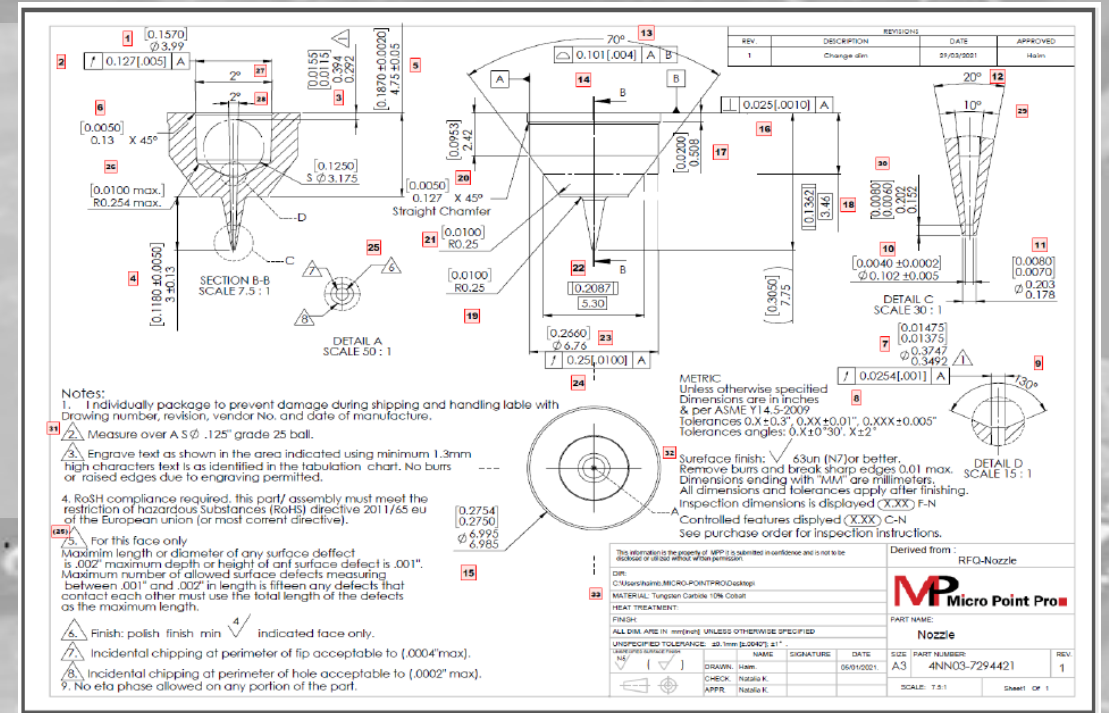
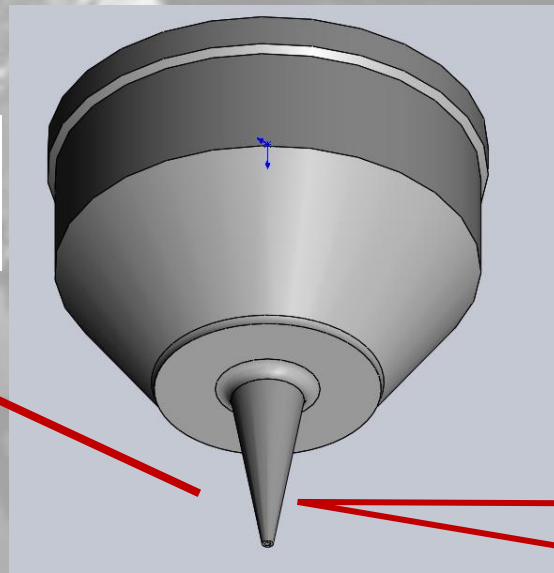


Build to Spec 按客户需求构筑开发

- Special Nozzle - Micro Dispensing tool (Medical)
特殊喷嘴 - 多种微型点胶工具 (医疗)
- Material - WC - 多种碳化钨材料可选
- Complicated geometry 可设计复杂的几何形状
- Tight tolerances $\pm 5 \mu$ 保证严格的公差 ± 5 微米
- Special surface condition requirements 多种特殊的表面处理
- High repeatability 高重复使用性

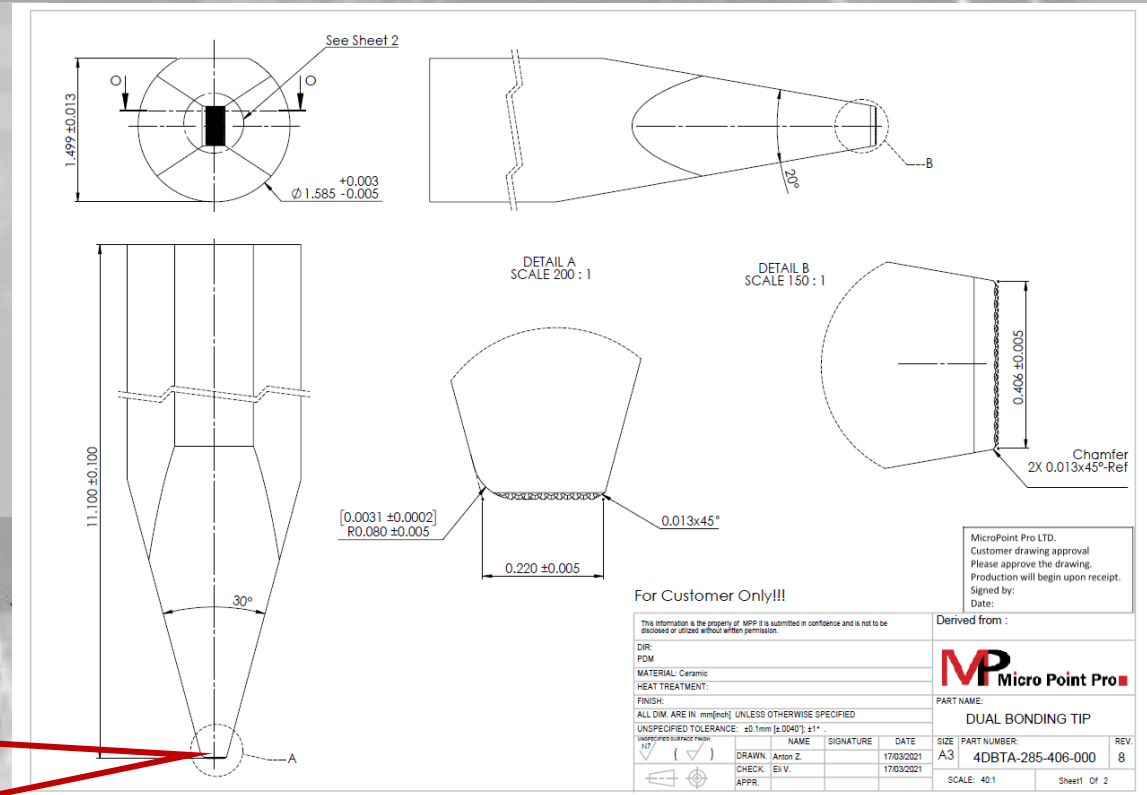
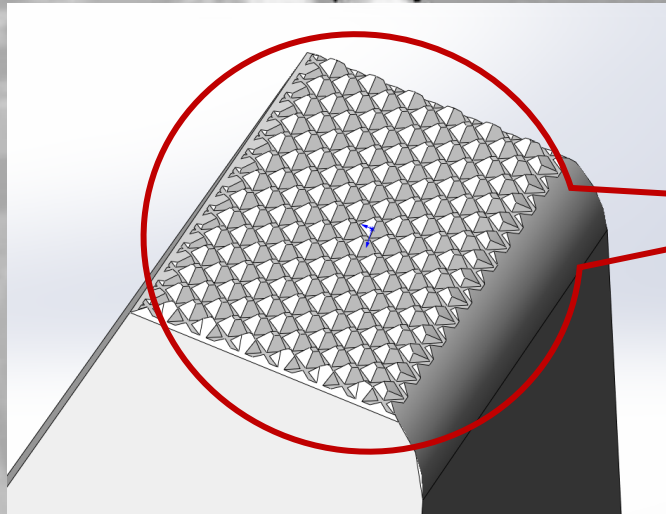
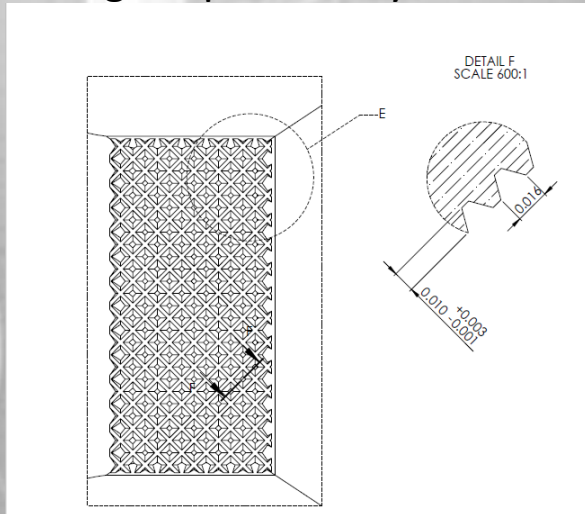


Section View
剖面图



Build to Spec 按客户需求构筑开发

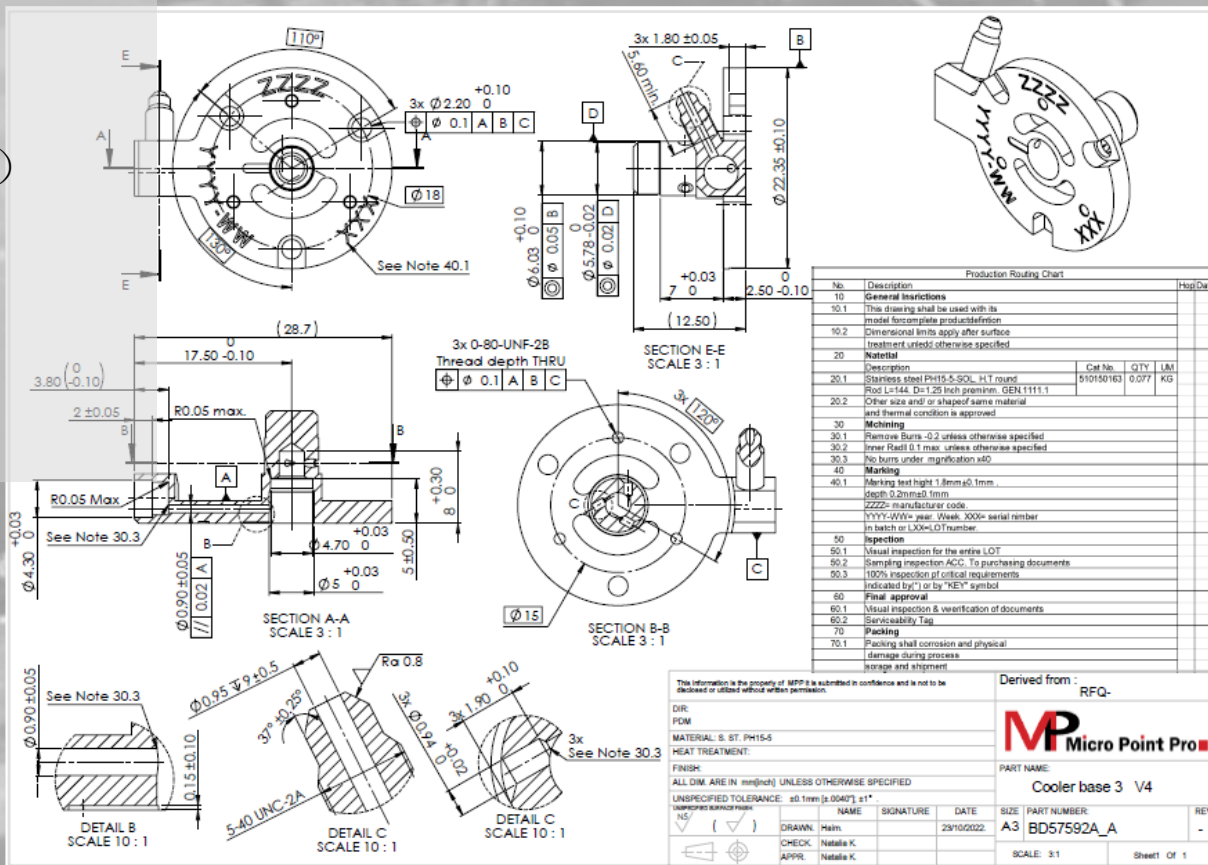
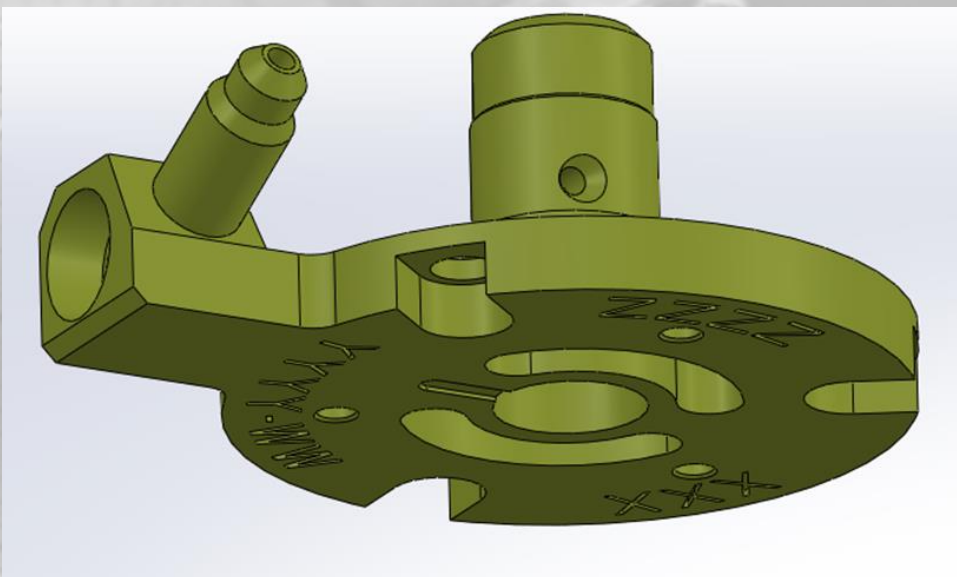
- Special micro tool (length~11 mm) for Ultrasonic Lead Bonding
超声波引线键合专用微型工具（长度~11 mm）
- Material: Special self-developed Ceramic formulation
材质：特殊自主研发的陶瓷配方
- Complicated geometry 复杂的几何形状
- Tight tolerances $\pm 4 \mu$ 严格公差 ± 4 微米
- Special tip surface treatment 特殊尖端表面处理
- High repeatability 高重复使用性



Build to Print

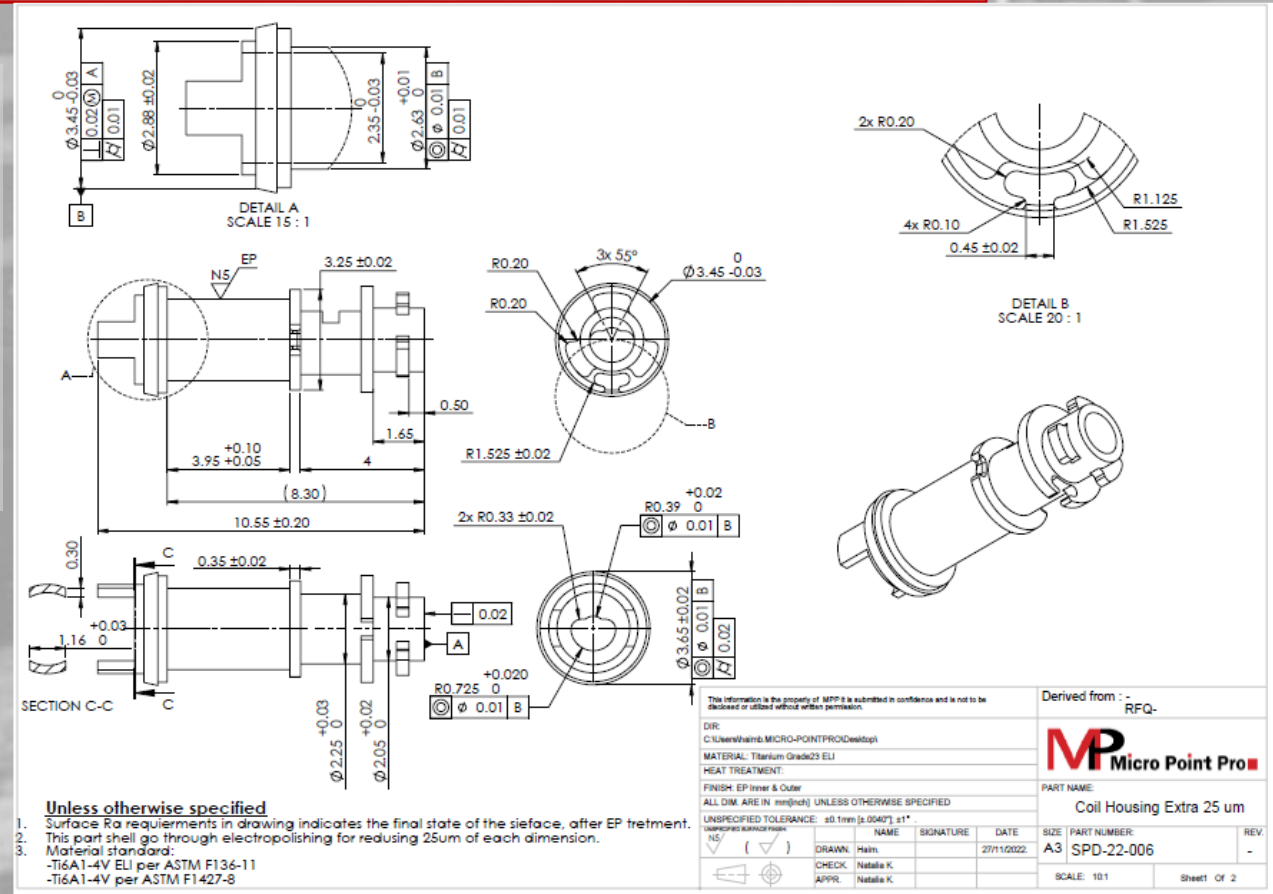
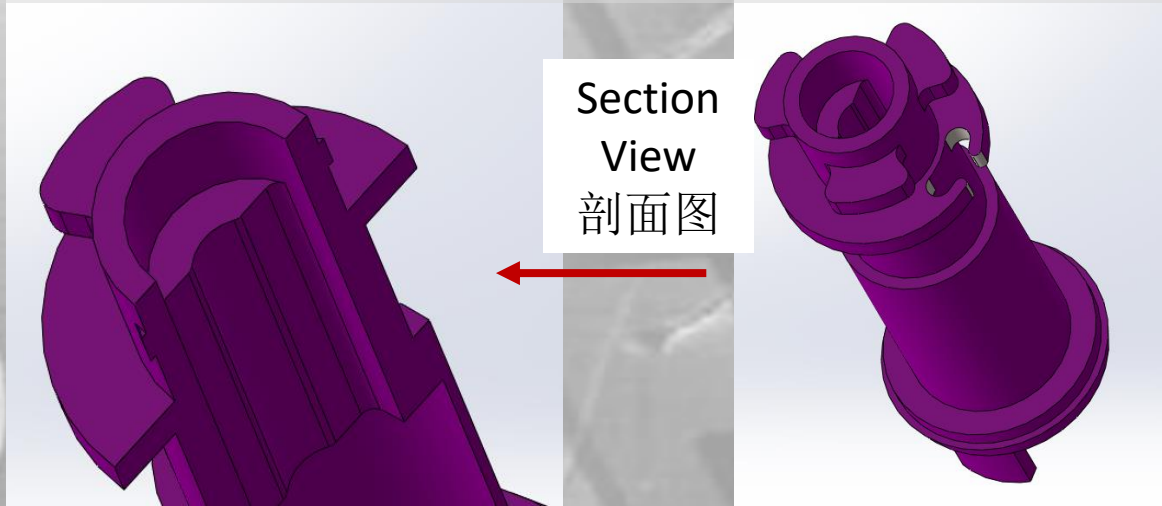
按客户需求专业定制

- Special Precise part for Hydraulic System
液压系统专用精密件
- Material: PH15-5 (Stainless Steel) 材质: PH15-5 (不锈钢)
- Complicated geometry 复杂的几何形状
- Micro precise holes 微型精密钻孔
- Tight tolerances 严格的公差
- Special surface condition requirements 特殊表面处理



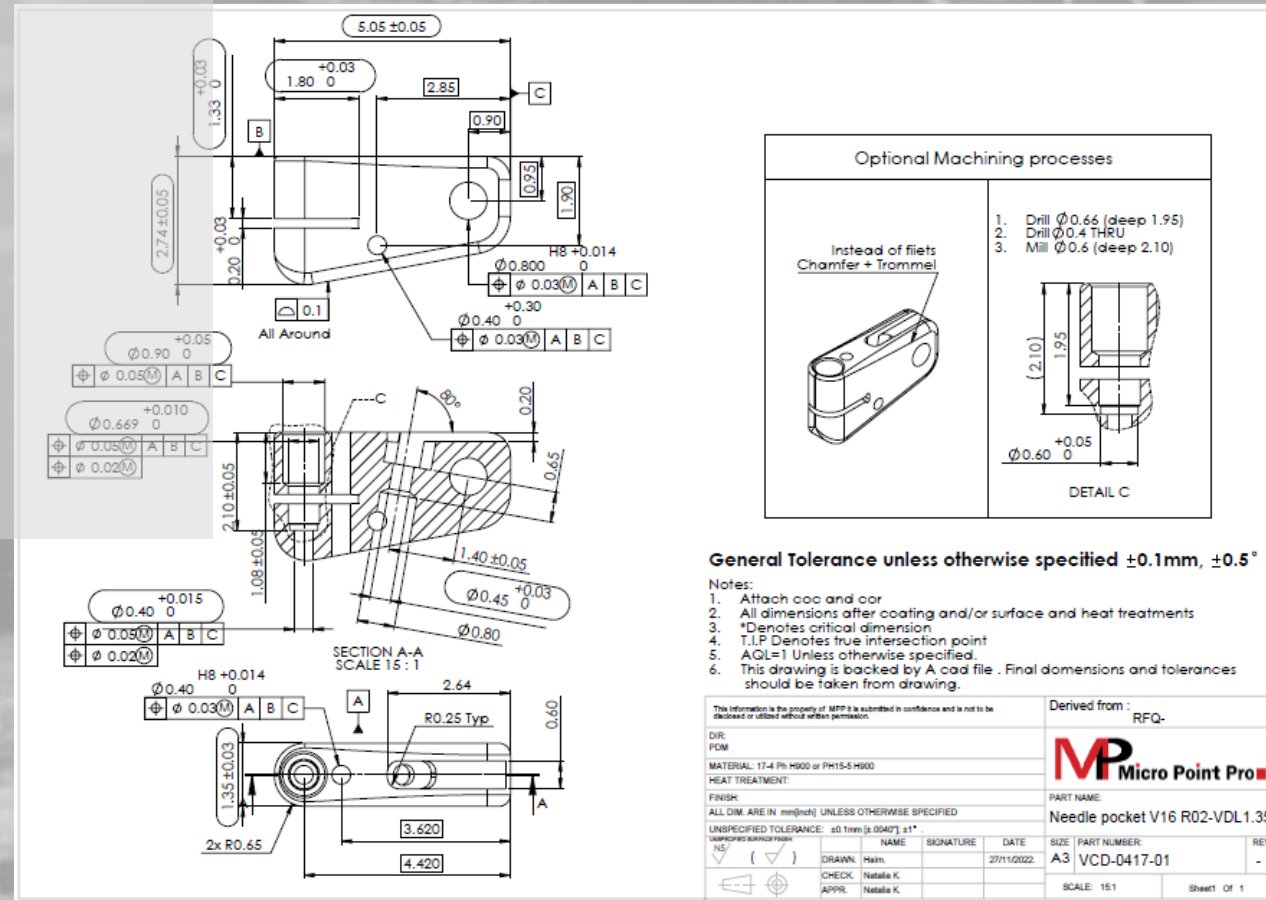
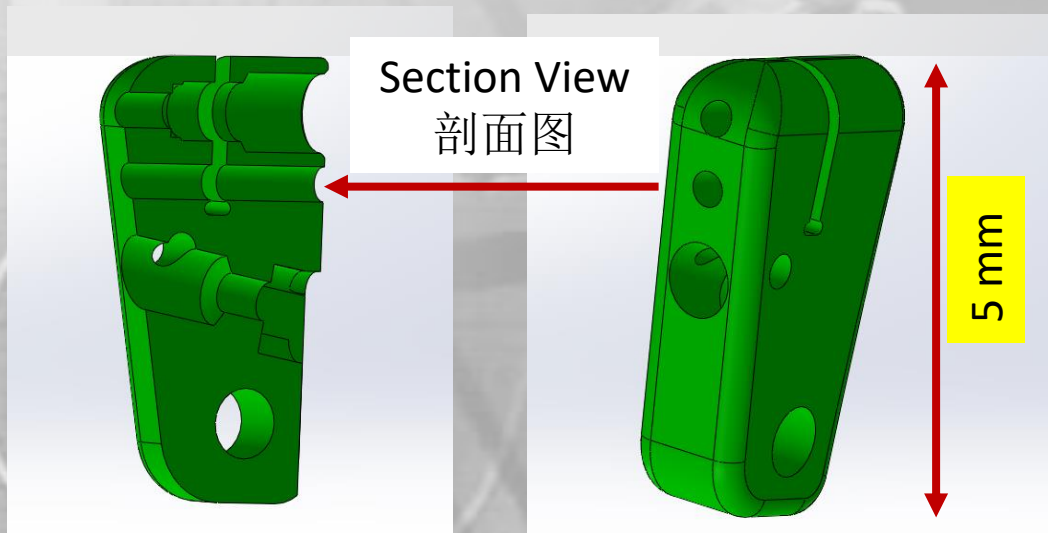
Build to Print 按客户需求专业定制

- Precise part for Medical Application 医疗应用精密零件
- Material: Titanium Carbide 材质：碳化钛
- Complicated geometry 复杂的几何形状
- Tight tolerances 严格的公差
- Special surface condition requirements 特殊表面处理



Build to Print 按客户需求专业定制

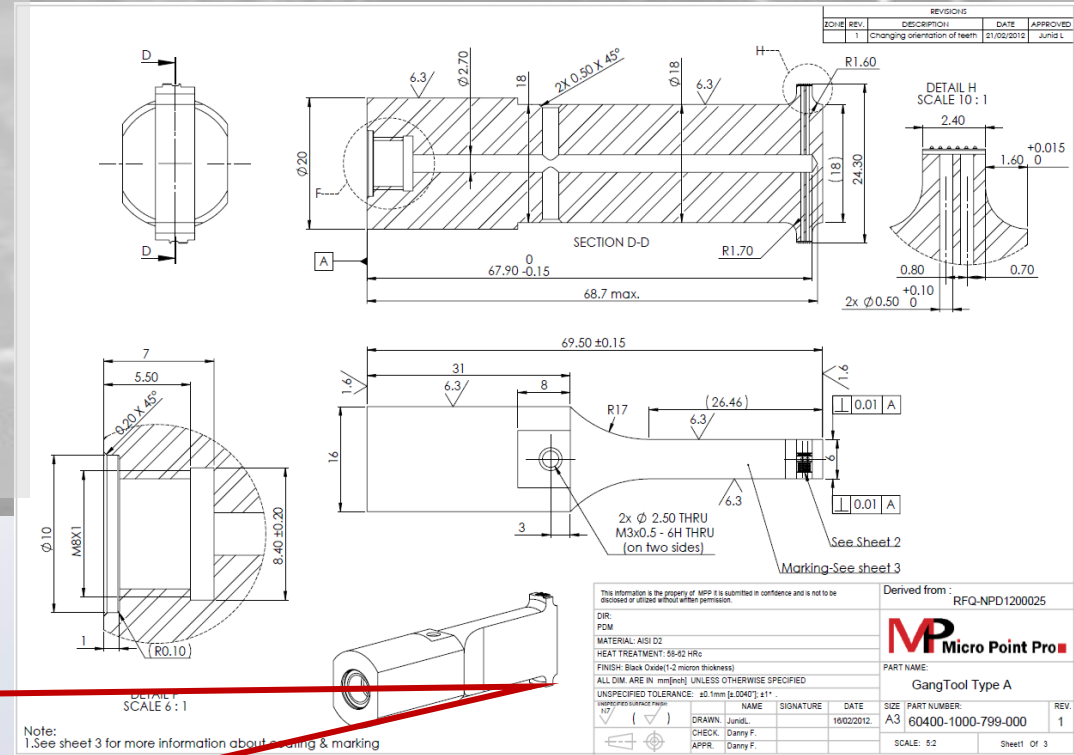
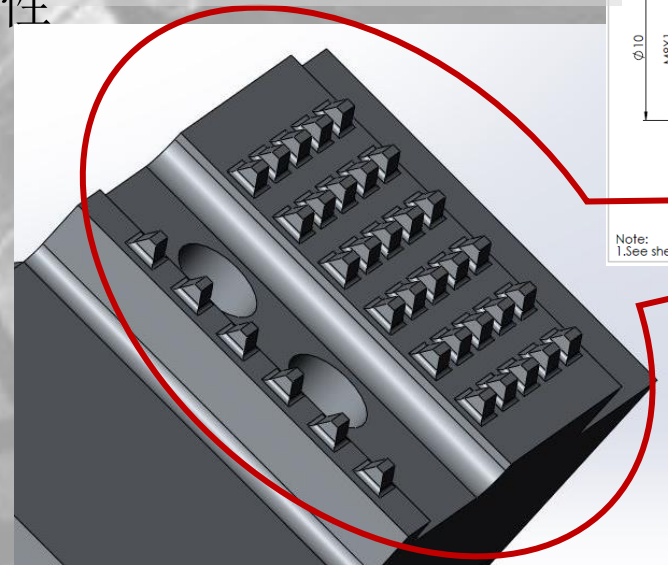
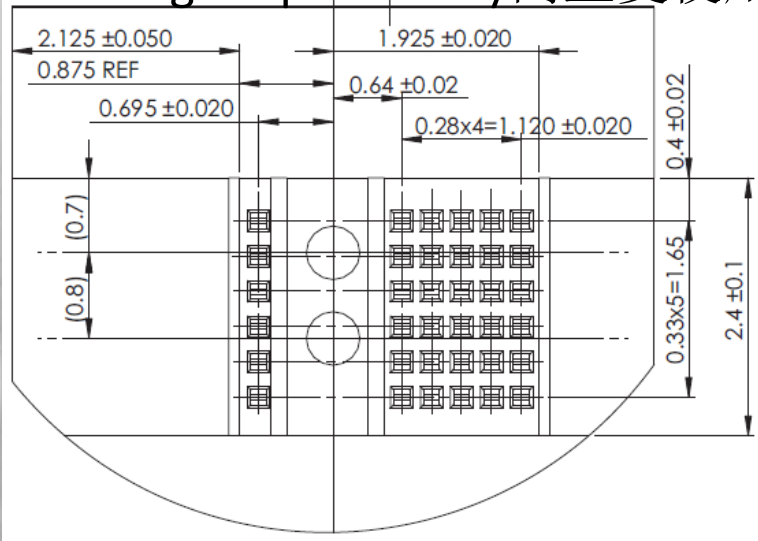
- Micro Precise part (~5mm) for Medical Application
用于医疗应用的微型精密零件 (~5mm)
- Material: PH17-4 (Stainless Steel)
材质: PH17-4 (不锈钢)
- Complicated geometry 复杂的几何形状
- Tight tolerances 严格的公差
- Special surface condition requirements 特殊表面处理



Build to Print

按客户需求专业定制

- Special Precise tool for “Battery” application 用于“电池”应用的特殊精密工具
- Material: AISI D2 STEEL 材质: AISI D2 钢
- Complicated geometry 复杂的几何形状
- Tight tolerances 严格的公差
- Special tip treatment requirements 特殊尖端处理
- High repeatability 高重复使用性



Other Applications 其他应用





MPP GROUP

Thank you 感谢您