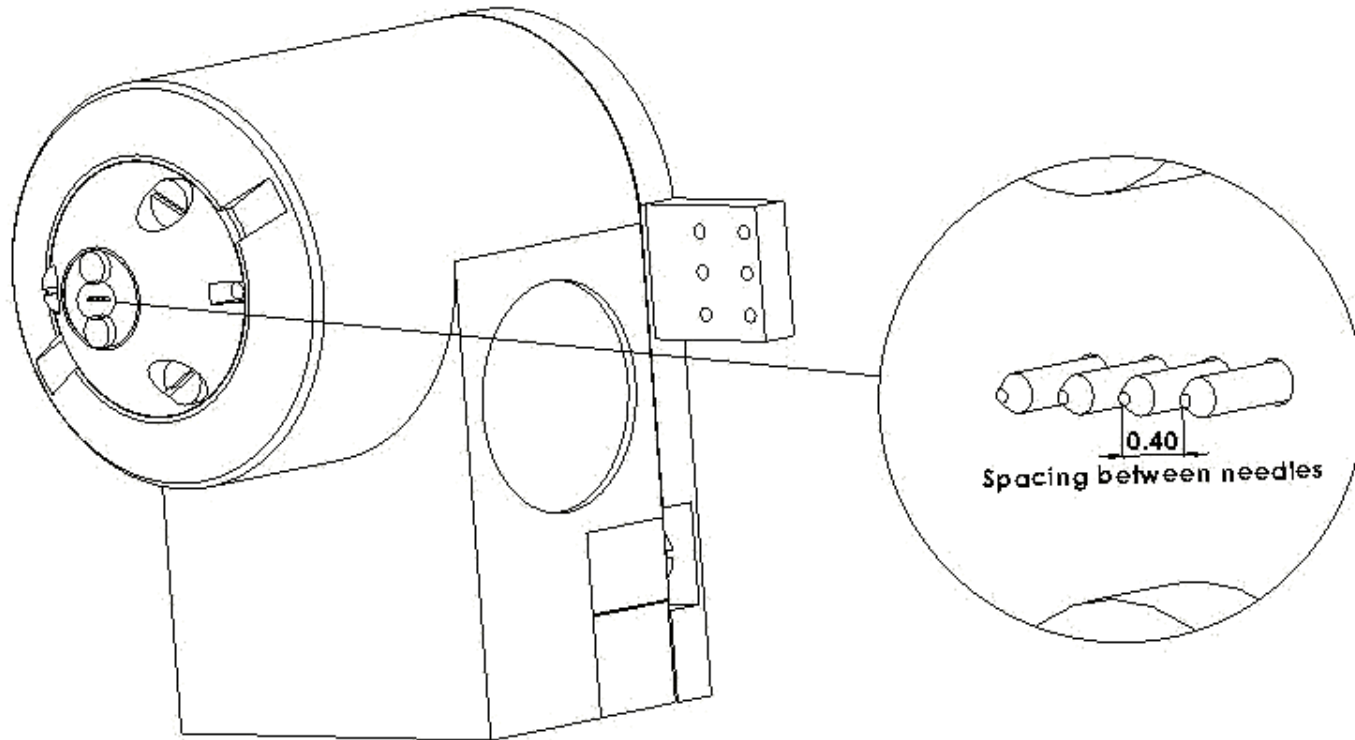


MP Micro Point Pro

NEW: Fine Pitch Four Point Probe heads by Micro Point Pro



Precision ■
Innovation ■
Quality ■



MP Micro Point Pro



Precision ■
Innovation ■
Quality ■

NEW: Fine Pitch Four Point Probe heads by Micro Point Pro

MPP is a leading manufacturer of Four Point Probe (4PP) heads for resistivity measurements of wafers and thin conductive films.

The FINE PITCH PROBE is the latest addition to MPP's 4PP portfolio

Key benefits of MPP's Fine pitch probe are:

- ❑ Improved testing accuracy and resolution
- ❑ Maximum utilization of wafer space
- ❑ A wide range of probe tip radii
- ❑ High breakdown voltage with low leakage
- ❑ Individual needle pressure adjustment (50-200 grf.)
- ❑ Tungsten carbide needles for high durability
- ❑ Customizable to a variety of equipment manufacturers



MPP Micro Point Pro

NEW: Fine Pitch Four Point Probe heads by Micro Point Pro

Probe Spacing	0.400 mm
Tolerance	+/- 10 microns
Arrangement	Linear
Needles	Tungsten Carbide 0.2 mm Diameter
Tip Radii	40,100,150,200 microns
Retraction to Pad	Up to 1 mm
Planarity	+/- 0.025 mm or better
Loads	Fixed between 50 gr and 200 gr
Electrical Leakage	1013 ohms resistance between needles at 500 volts

* MPP's Fine Pitch Probe are available for well-known wafer resistivity measurement equipment OEMs such as KLA, Kokusai, Napson and others.

Precision ■
Innovation ■
Quality ■



MP Micro Point Pro

NEW: Fine Pitch Four Point Probe heads by Micro Point Pro



Precision
Innovation
Quality

